

Timber Ride-on Loader - sheet #1

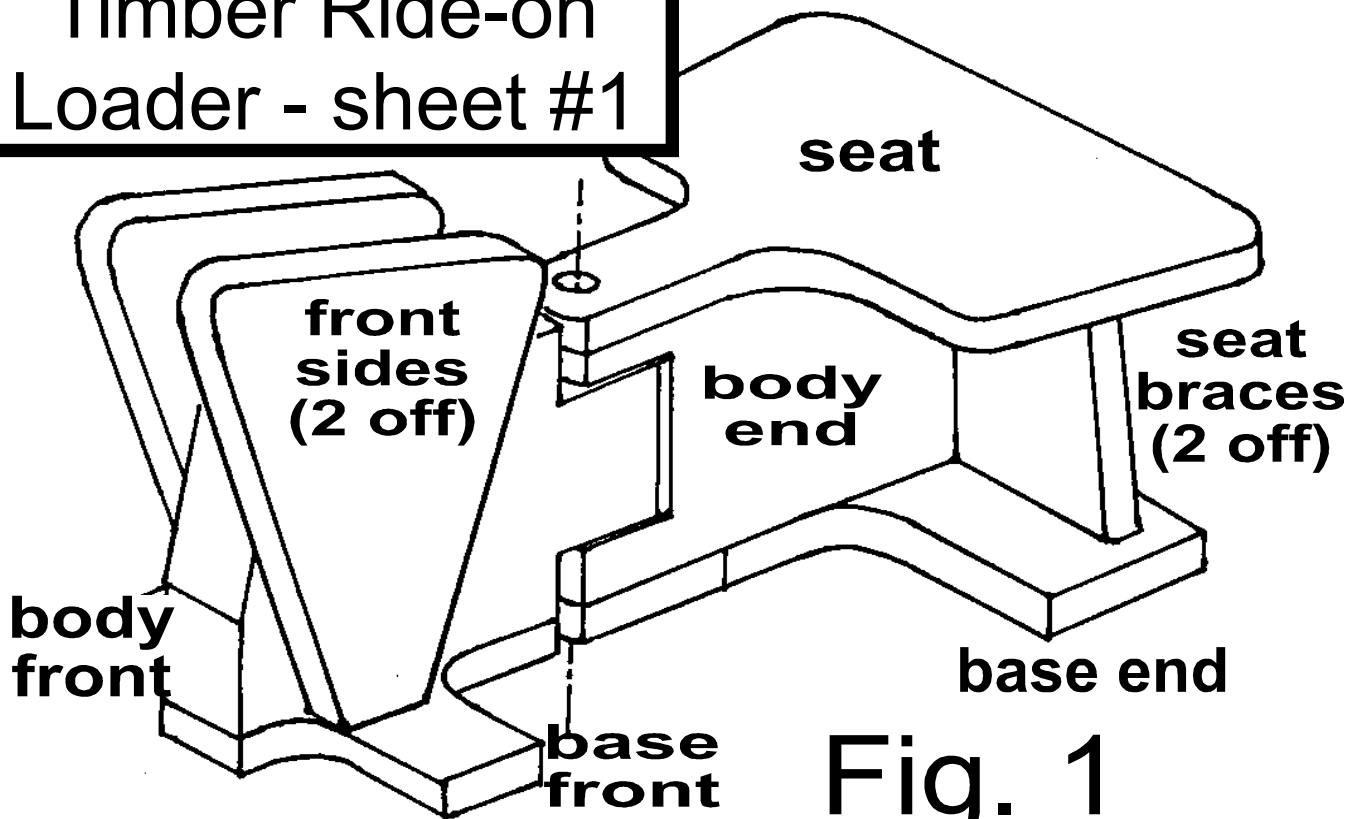
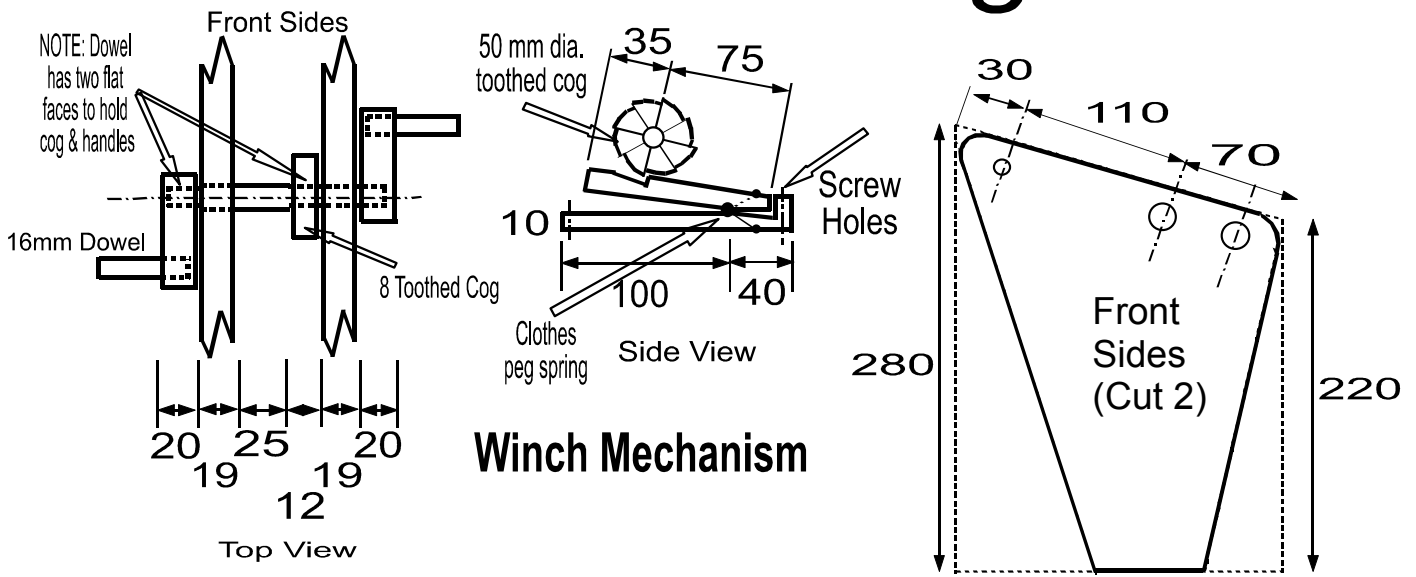
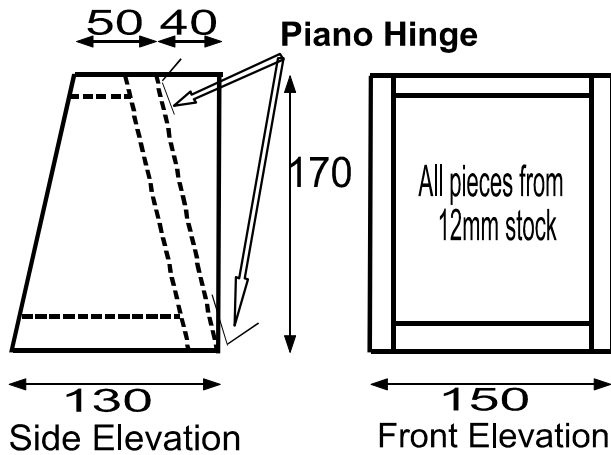


Fig. 1



Winch Mechanism



The Bucket

